

The Revvity logo is displayed in white lowercase letters on a black background. Below the logo is a decorative graphic consisting of several overlapping, translucent spheres in shades of yellow, orange, and green, resembling a molecular or cellular structure.

revvity

QUICK START GUIDE

Bead Ruptor 96™ 50 mL Tube Holders

Version: E

Date: October 2024

Document Number: 03-504

Data herein has been verified and validated. It is believed adequate for the intended use of the instrument. If the instrument or procedures are used for purposes over and above the capabilities specified herein, confirmation of the validity and suitability should be obtained; otherwise Revvity does not guarantee results and assumes no obligation or liability. This publication is not a license to operate under, or a recommendation to infringe upon, any process patents.

This product is warranted to be free from defects in material and workmanship for a period of ONE YEAR from the date of delivery. Revvity will repair or replace and return free of charge any part which is returned to its factory within said period, transportation prepaid by user, and which is found upon inspection to have been defective in materials or workmanship. This warranty does not include normal wear from use; it does not apply to any instrument or parts which have been altered by anyone other than an employee of Revvity nor to any instrument which has been damaged through accident, negligence, failure to follow operating instructions, the use of electric currents or circuits other than those specified on the plate affixed to the instrument, misuse, or abuse. Revvity reserves the right to change, alter, modify, or improve any of its instruments without any obligation whatever to make corresponding changes to any instrument previously sold or shipped.

THE FORGOING OBLIGATION IS IN LIEU OF ALL OBLIGATIONS AND LIABILITIES INCLUDING NEGLIGENCE AND ALL WARRANTIES OF MERCHANTABILITY OR OTHERWISE, EXPRESSED OR IMPLIED IN FACT OR BY LAW, AND STATE OUR ENTIRE AND EXCLUSIVE LIABILITY AND BUYERS EXCLUSIVE REMEDY FOR ANY CLAIM OF DAMAGES IN CONNECTION WITH THE SALE OR FURNISHING OF GOODS OR PARTS, THEIR DESIGN, SUITABILITY FOR USE, INSTALLATION, OR OPERATION. REVVITY WILL IN NO EVENT BE LIABLE FOR ANY SPECIAL OR CONSEQUENTIAL DAMAGES WHATSOEVER, AND THEIR LIABILITY UNDER NO CIRCUMSTANCES WILL EXCEED THE CONTRACT PRICE FOR THE GOODS FOR WHICH LIABILITY IS CLAIMED.

This product has been engineered for safety; however, basic safety precautions and common sense must always be demonstrated when using any electrical product.

- Use this product only for its intended purpose.
- **DO NOT** attempt to modify any part of this product.
- **DO NOT** use in any setting other than an indoor laboratory.
- **DO NOT** use attachments not recommended by the manufacturer.

Copyright

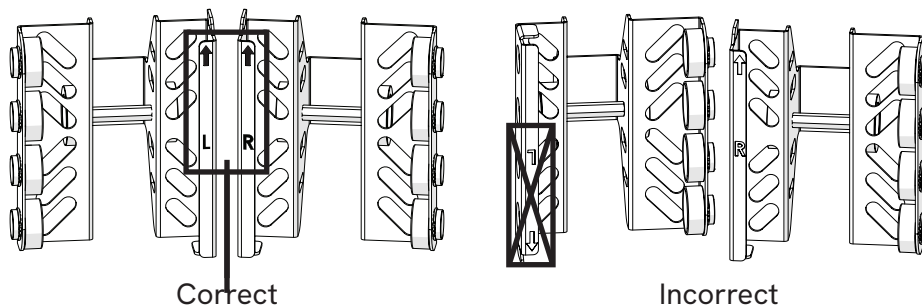
This manual is published by Revvity 935 Cobb Place Blvd, Kennesaw, GA 30144 USA. Copyright Revvity, Inc. All rights reserved, including but not limited to those rights to reproduce this publication or parts thereof. Reproduction of this publication or parts thereof, or the products it describes, by any means or in any form is expressly prohibited without the written permission of Revvity.

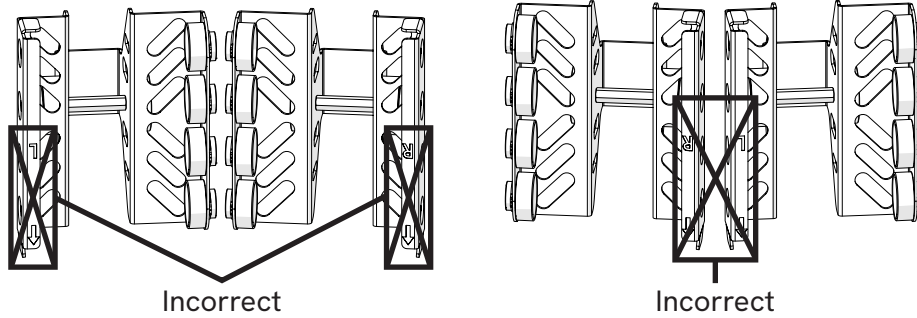
Trademarks

Revvity is a registered trademark of Revvity. All other trademarks are the property of their respective owners.

Holder Placement

Each 50 mL tube holder is marked with an "L" or "R" denoting which side they attach to, as well as an arrow marking the UP orientation. The attachment points of the tube holders must be fully seated and secured before operation. CAUTION: For safe and proper use, care must be taken to prevent damage to your BR96, attachments, samples, and personnel. Place the tube holders onto their respective arms; "L" on the left and "R" on the right, with the UP arrows pointing up.

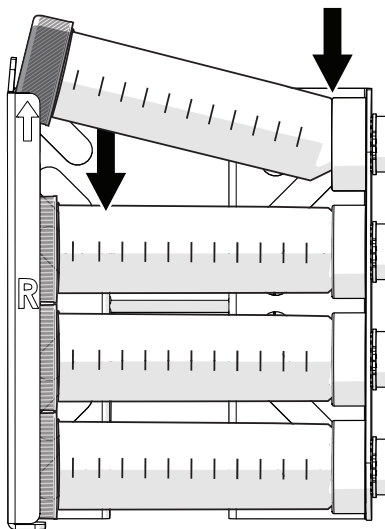




Tube Loading

- Load tubes from bottom to top.
- Place the tube's conical section first into the "cup," then slide into place.
- Evenly distribute the tubes between holders for balance (i.e. if two (2) tubes need to be run, place one in each holder).

NOTE: The tube holders do not need to be loaded to capacity. The minimum number of tubes that can be run is two (2), and the maximum to run is eight (8).



Suggested Maximum Weight *	Suggested Maximum Speed
120 grams (15 g x 8 tubes)	30 Hz
400 grams (50 g x 8 tubes)	25 Hz
500+ grams (62 g x 8 tubes)	20 Hz

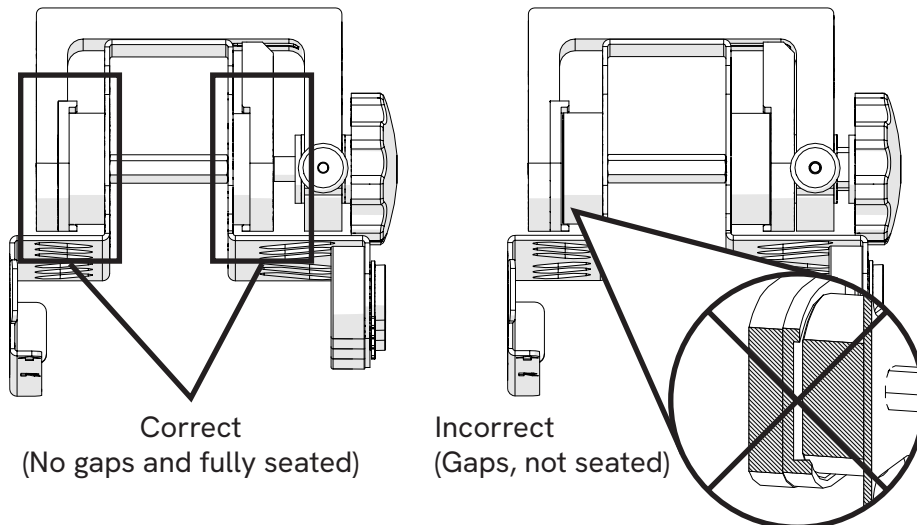
* Includes mass of tube, cap, sample (solid and/or liquids), and grinding media

WARNING: Exceeding recommendations listed above may cause damage to instrument, sample tubes, or personnel.

Securing the Tube Holders

- After loading the tubes, secure the tube holders.
- Tighten the knob on the arms until snug.
- Ensure the attachment "pucks" are properly seated. No gap should remain.

WARNING: Improper placement may cause damage to equipment, sample, or personnel.





The information provided in this document is for reference purposes only and may not be all-inclusive. Revvity, Inc., its subsidiaries, and/or affiliates (collectively, "Revvity") do not assume liability for the accuracy or completeness of the information contained herein. Users should exercise caution when handling materials as they may present unknown hazards. Revvity shall not be liable for any damages or losses resulting from handling or contact with the product, as Revvity cannot control actual methods, volumes, or conditions of use. Users are responsible for ensuring the product's suitability for their specific application. REVVITY EXPRESSLY DISCLAIMS ALL WARRANTIES, INCLUDING WARRANTIES OF MERCHANTABILITY OR FITNESS FOR A PARTICULAR PURPOSE, REGARDLESS OF WHETHER ORAL OR WRITTEN, EXPRESS OR IMPLIED, ALLEGEDLY ARISING FROM ANY USAGE OF ANY TRADE OR ANY COURSE OF DEALING IN CONNECTION WITH THE USE OF INFORMATION CONTAINED HEREIN OR THE PRODUCT ITSELF.

www.revvity.com

revvity

For research use only. Not for use diagnostic procedures

Revvity, Inc.
940 Winter Street
Waltham, MA 02451
USA
www.revvity.com

For a complete listing of our global offices, visit www.revvity.com
Copyright ©2024, Revvity, Inc. All rights reserved.