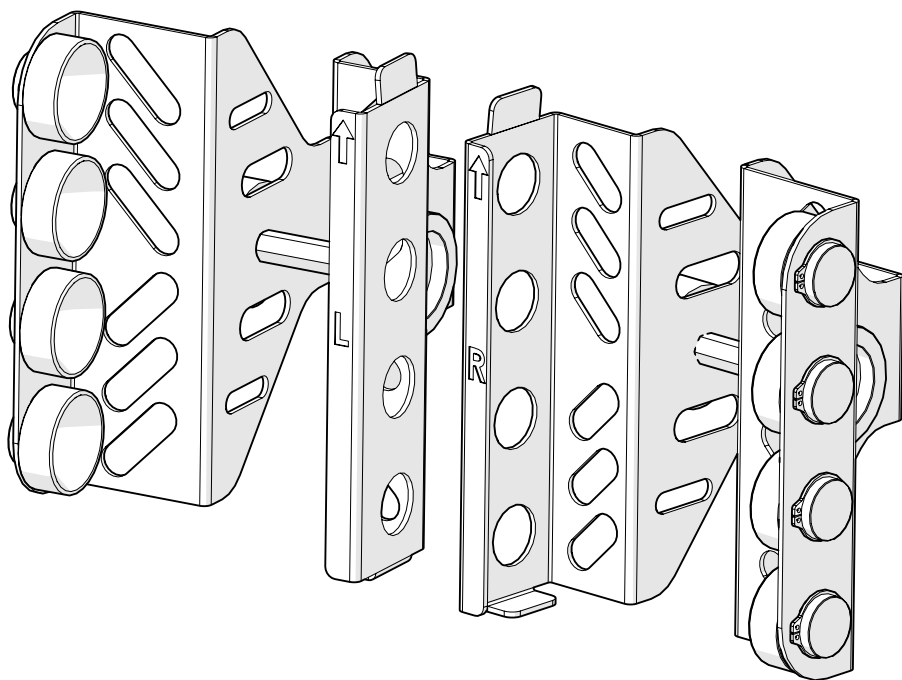


50 mL Tube Holders

for Bead Ruptor 96

User Manual



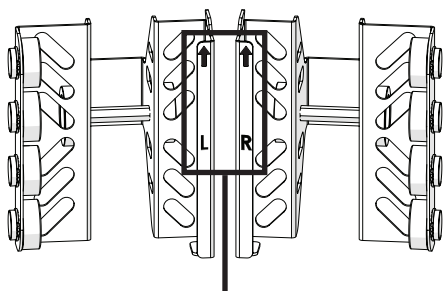
OMNI
International
The Homogenizer Company®

Holder Placement

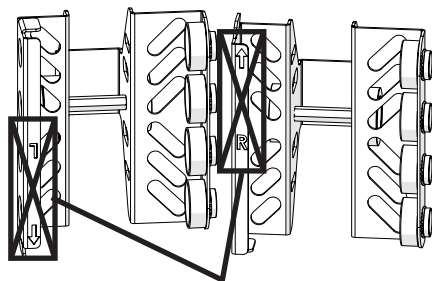
Each 50mL tube holder is marked with an "L" or "R" denoting which side they attach to, as well as an arrow marking the UP orientation. The attachment points of the tube holders must be fully seated and secured before operation.

CAUTION: For safe and proper use, care must be taken to prevent damage to your BR96, attachments, samples, and personnel.

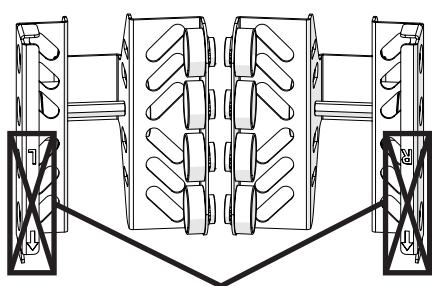
Place the tube holders onto their respective arms; "L" on the left and "R" on the right, with the UP arrows pointing up.



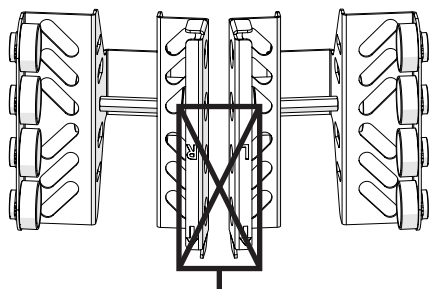
CORRECT



INCORRECT



INCORRECT



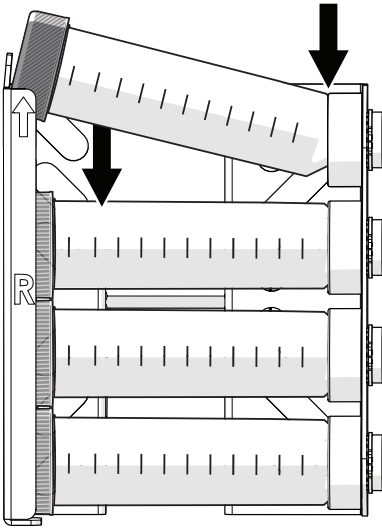
INCORRECT

Suggested Maximum Weight *	Suggested Maximum Speed
120 grams (15 g x 8 tubes)	30 Hz
400 grams (50 g x 8 tubes)	25 Hz
500+ grams (62 g x 8 tubes)	20 Hz

* Includes mass of tube, cap, sample (solid and/or liquids), and grinding media

WARNING: Exceeding recommendations listed above may cause damage to instrument, sample tubes, or personnel.

Tube Loading



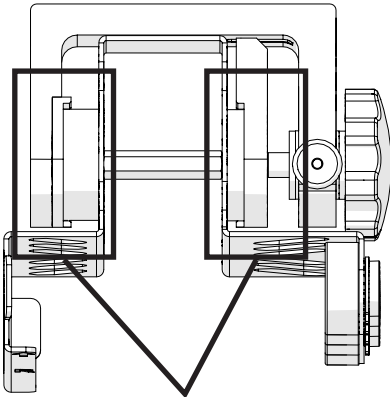
- Load tubes from bottom to top.
- Place the tube's conical section first into the "cup," then slide into place.
- Evenly distribute the tubes between holders for balance (i.e. if two (2) tubes need to be run, place one in each holder).

NOTE: The tube holders do not need to be loaded to capacity. The minimum number of tubes that can be run is two (2), and the maximum to run is eight (8).

Securing the Holders

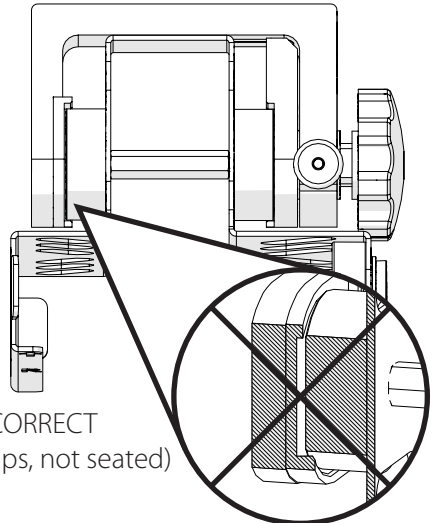
- After loading the tubes, secure the tube holders.
- Tighten the knob on the arms until snug.
- Ensure the attachment "pucks" are properly seated. No gap should remain.

WARNING: Improper placement may cause damage to equipment, sample, or personnel.



CORRECT

(No gaps and fully seated)



INCORRECT

(Gaps, not seated)



OMNI
International

935C Cobb Place Blvd.
Kennesaw, GA 30144
800.776.4431 • 770.421.0058
www.omni-inc.com

PN: 03-504 Rev. B