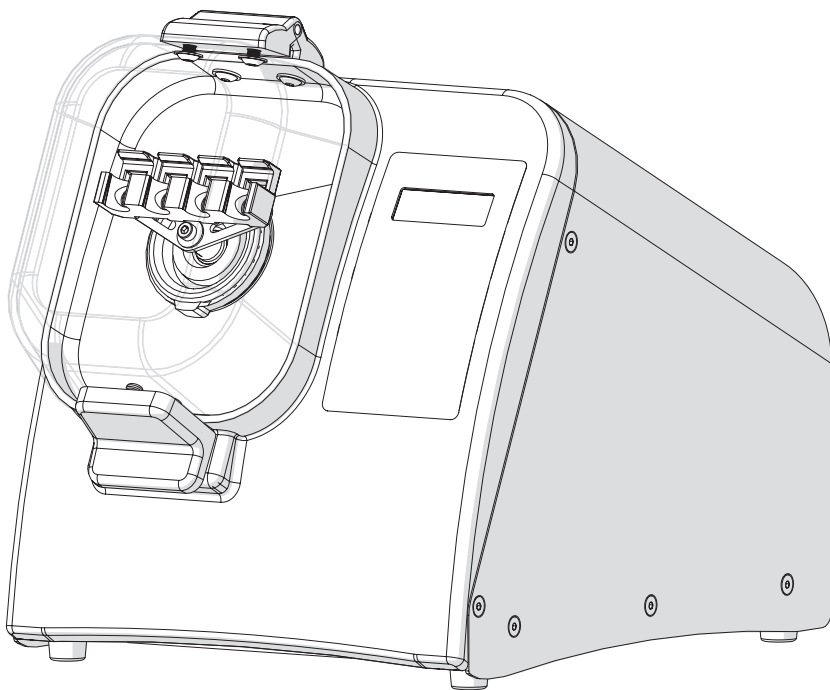


Bead Ruptor™ 4

Bead Mill Homogenizer

User Manual



Data herein has been verified and validated. It is believed adequate for the intended use of the instrument. If the instrument or procedures are used for purposes over and above the capabilities specified herein, confirmation of the validity and suitability should be obtained; otherwise OMNI International, does not guarantee results and assumes no obligation or liability. This publication is not a license to operate under, or a recommendation to infringe upon, any process patents.

This product is warranted to be free from defects in material and workmanship for a period of ONE YEAR from the date of delivery. OMNI International will repair or replace and return free of charge any part which is returned to its factory within said period, transportation prepaid by user, and which is found upon inspection to have been defective in materials or workmanship. This warranty does not include normal wear from use; it does not apply to any instrument or parts which have been altered by anyone other than an employee of OMNI International nor to any instrument which has been damaged through accident, negligence, failure to follow operating instructions, the use of electric currents or circuits other than those specified on the plate affixed to the instrument, misuse, or abuse. OMNI International, reserves the right to change, alter, modify, or improve any of its instruments without any obligation whatever to make corresponding changes to any instrument previously sold or shipped.

THE FORGOING OBLIGATION IS IN LIEU OF ALL OBLIGATIONS AND LIABILITIES INCLUDING NEGLIGENCE AND ALL WARRANTIES OF MERCHANTABILITY OR OTHERWISE, EXPRESSED OR IMPLIED IN FACT OR BY LAW, AND STATE OUR ENTIRE AND EXCLUSIVE LIABILITY AND BUYERS EXCLUSIVE REMEDY FOR ANY CLAIM OF DAMAGES IN CONNECTION WITH THE SALE OR FURNISHING OF GOODS OR PARTS, THEIR DESIGN, SUITABILITY FOR USE, INSTALLATION, OR OPERATION. OMNI INTERNATIONAL WILL IN NO EVENT BE LIABLE FOR ANY SPECIAL OR CONSEQUENTIAL DAMAGES WHATSOEVER, AND THEIR LIABILITY UNDER NO CIRCUMSTANCES WILL EXCEED THE CONTRACT PRICE FOR THE GOODS FOR WHICH LIABILITY IS CLAIMED.

This product has been engineered for safety; however, basic safety precautions and common sense must always be demonstrated when using any electrical product.

- DO NOT attempt to modify any part of this product.
- DO NOT allow the machine to be submerged in any liquid.
- DO NOT use in any setting other than an indoor laboratory.
- DO NOT plug power cord into an incorrect outlet or subject it to an incorrect voltage.
- Use this product only for its intended purpose.

- DO NOT use attachments not recommended by the manufacturer.
- DO NOT operate the product if it is damaged in any way.
- Keep this product away from heated surfaces.
- DO NOT modify the plug or cord that is provided. If the plug will not fit the outlet, have the proper outlet installed by a qualified electrician.
- DO NOT operate the product with the safety ground disconnected.

WARNING: Reduce the risk of unintentional starting; make sure the speed switch is in the OFF position before plugging in the motor.

WARNING: Damaged or worn power cords should be repaired or replaced immediately by a qualified electrician.

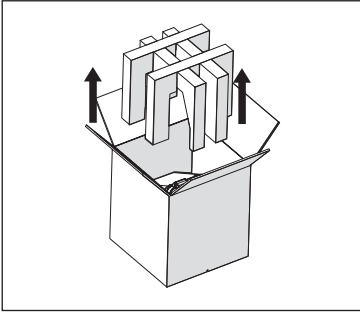
WARNING: Improper connection of the equipment can result in a risk of electric shock.

WARNING: Only use cords supplied or approved by OMNI International.

For research use only. Not for use in diagnostic procedures.

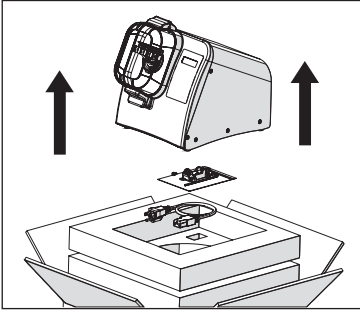
Unpacking

1.



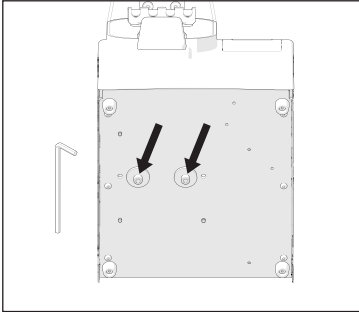
Lift foam from box.

2.



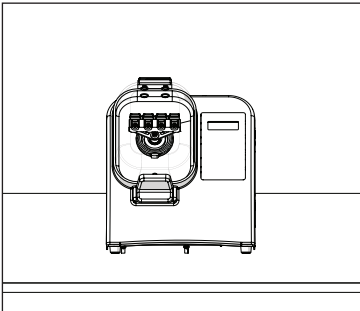
Lift unit up and off of the box bottom.
DO NOT LIFT THE UNIT BY HOLDING THE LID.
Remove Tool Kit and Power Cord

3.



Remove the 2 screws from the bottom of the unit.

4.



Place the unit on a stable surface.

5. Connect power cord

Copyright

This manual is published by OMNI International 935 Cobb Place Blvd, Kennesaw, GA 30144 USA. Copyright 2024, OMNI International, Inc. All rights reserved, including but not limited to those rights to reproduce this publication or parts thereof. Reproduction of this publication or parts thereof, or the products it describes, by any means or in any form is expressly prohibited without the written permission of OMNI International.

Trademarks

OMNI International is a registered trademark of OMNI International. All other trademarks are the property of their respective owners.

Proper Equipment Operation

To reduce the risk of electric shock, do not remove the cover. No user serviceable parts are inside. Refer to qualified service personnel if help is required.

Use this product only in the manner described in this manual. If the equipment is used in a manner not specified by the manufacturer, the protection provided by the equipment may be impaired.

Cleaning

Follow internal laboratory process for cleaning and decontamination using 70% ethanol followed by a disinfecting wipe, then a final rinse with ethanol.

Preventative Maintenance

Normal use: 12 month interval.

Heavy use may require a 6 month interval.

Operating Environment

4°C to 40°C / 39°F to 104°F, Humidity: 5% to 95% RH. Internal use only

Electrical Supply

25-010 100-230V, 50/60 Hz, 4A Max

FCC

This device complies with part 15 of the FCC (United States Federal Communications Commission) Rules.

Operation is subject to the following two conditions:

- This device may not cause harmful interference, and
- This device must accept any interference received, including interference that may cause undesired operation.

CE

This device complies with all CE rules and requirements.

Changes or modifications to this equipment not expressly approved by the party responsible for compliance could void the user's authority to operate the equipment.

DO NOT: Attempt to service the Bead Ruptor™ 4 Bead Mill in a manner other than those discussed in this manual. Any service must be performed by a qualified service technician. This can be either an OMNI Technician or an end user resource. All parts need to be sourced from OMNI International service department.





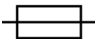






For any issue that is unsuccessfully corrected using this guide, please contact your authorized dealer or call:

935 Cobb Place Blvd.
Kennesaw, GA 30144
800.776.4431 • 770.421.0058
www.omni-inc.com

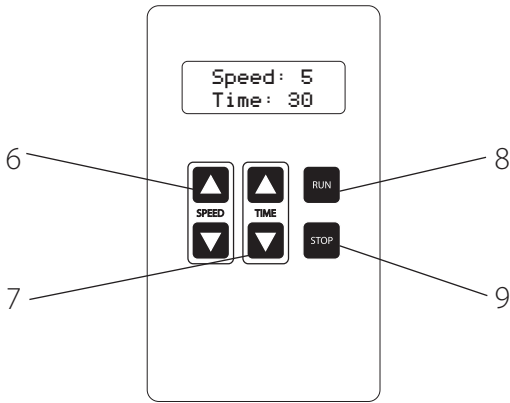
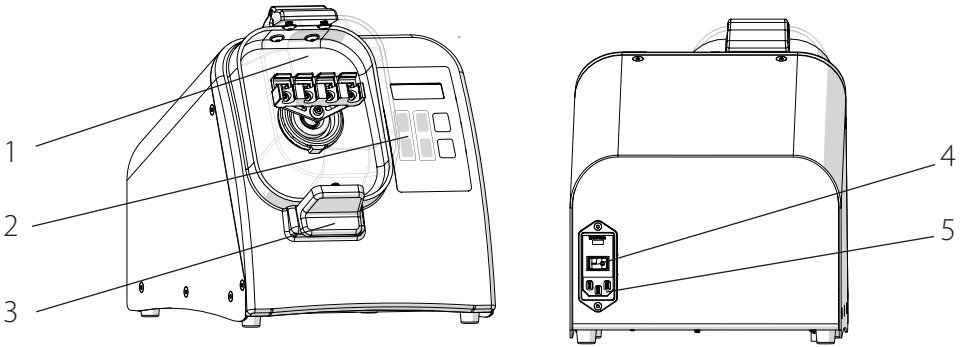
Specifications

Input Voltage	25-010 100-230V, 50/60 Hz
Input Current	4A max
Power Connector	IEC 60320 C13
Fuse	6 x 30 mm / 4A max
Overvoltage Category	II
Pollution Degree	2
Altitude	Up to 2000 m
For Indoor Use Only. Preventative Maintenance: Replace Tube holders once a year at a minimum	

Table of Symbols

Symbol	Description	Symbol	Description
	Caution. Refer to the User documentation (ISO 7000-0434B)		On (power). (IEC 60417-5007)
	Hazardous voltage; risk of electric shock. (IEC 60417-6042)		Off (power). (IEC 60417-5008)
	Fuse. (IEC 60417-5016)		Consult Instructions for Use. (ISO 7000-1641)
	Alternating current. (IEC 60417-5032)		CE Compliance Mark
	KC Certification Mark		WEEE symbol (EN50419:2005)
	UKCA Certification Mark		

Overview



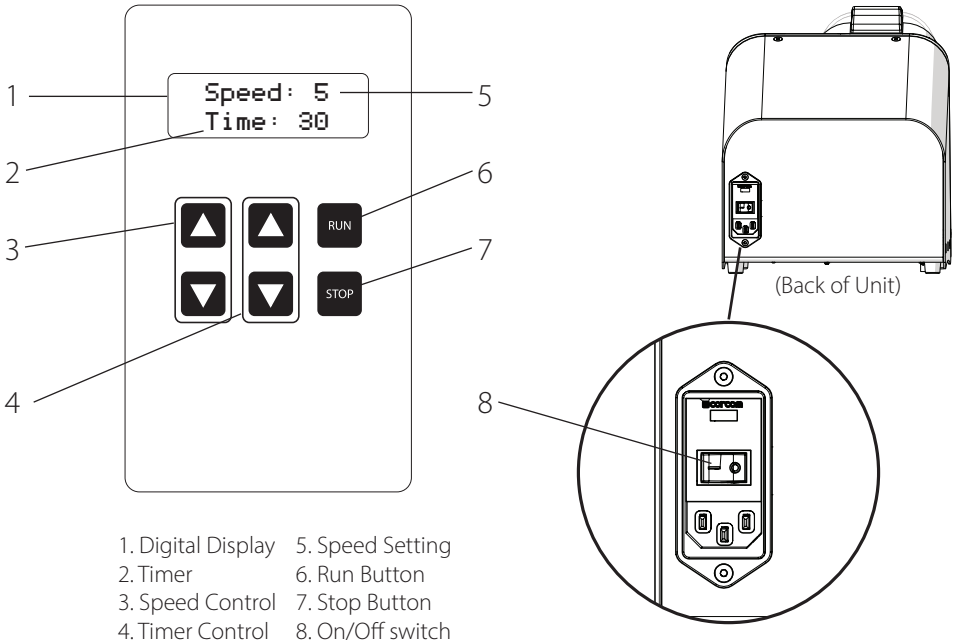
- 1. Lid
- 2. Keypad
- 3. Lid Latch
- 4. ON/Off Switch
- 5. Power Cord Port
- 6. Speed Control
- 7. Timer Control
- 8. Run Button
- 9. Stop Button

The Bead Ruptor™ 4 consists of the following:

Description	Quantity
Bead Ruptor™ 4	1
Power Cord	1
Spare Fuse	1
2 mL Tube Holder Assembly	1
7 mL Tube Holder Assembly	1
Allen Key	1
User Manual	1

The Bead Ruptor™ 4 Bead Mill Homogenizer is a homogenizing instrument that processes samples by shaking in sealed tubes at varying speeds and dwell times. It is recommended that no flammable liquids be used during processing.

General Operation



1. Power

- Plug in the power cord and move the On/Off switch on back of the unit to the ON position.

2. Set Speed

- Adjust speed using up and down buttons.

3. Set Timer

- Adjust run time using up and down buttons from 1 sec. to 5 min.

4. Start

- Press Run button.

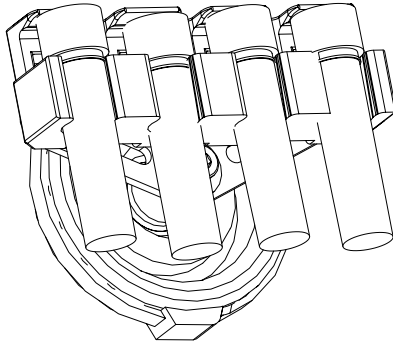
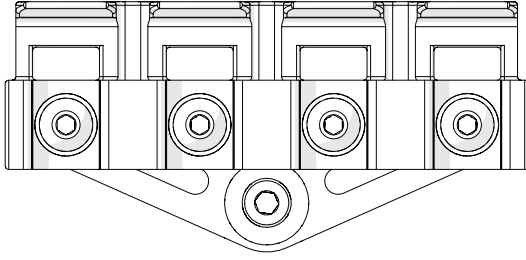
5. Pause/Stop

- Press Stop Button to Pause.

- Press Stop again to reset timer and cancel run

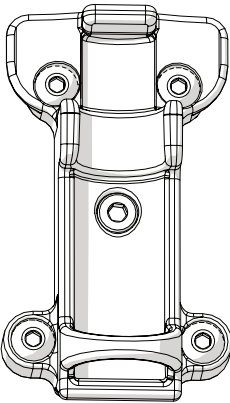
Speed Setting	Processing Power in G's	Processing Speed in M/S
1	30	1.5
2	60	2.5
3	90	3.7
4	120	4.4
5	150	5.0

Loading Sample Tubes

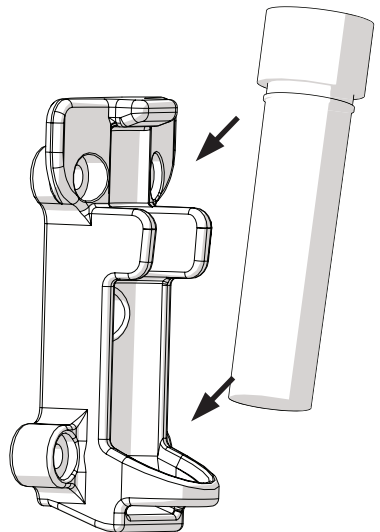


1.5 mL & 2 mL Tubes

7 mL Tube Carriage

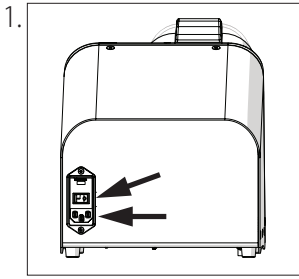


7 mL Tubes

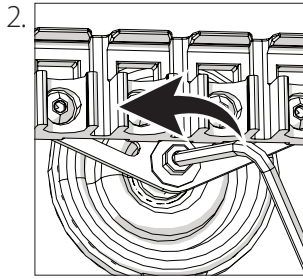


OMNI Bead tubes should be used exclusively with OMNI Bead Ruptor™ Homogenizers.

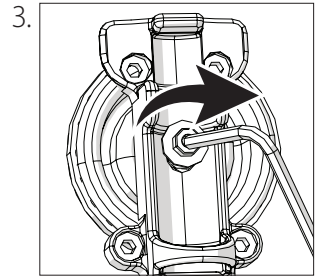
Changing the Tube Holder



Turn unit off and unplug power cord.

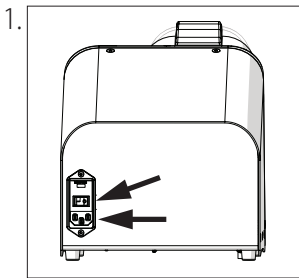


Use the supplied 3 mm allen wrench to loosen tube carriage holder screw

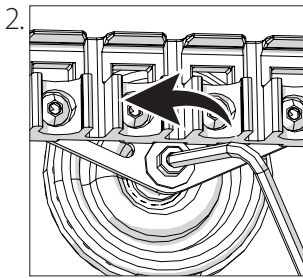


Use the supplied 3 mm allen wrench to tighten tube carriage holder screw

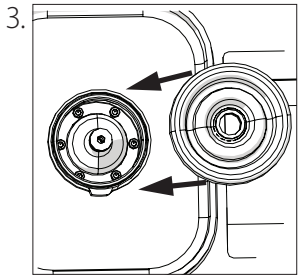
Changing the Neck Gasket



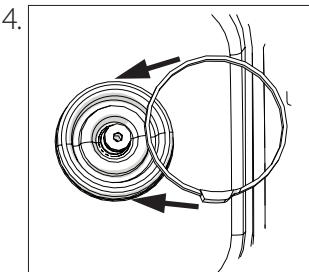
Turn unit off and unplug the power cord.



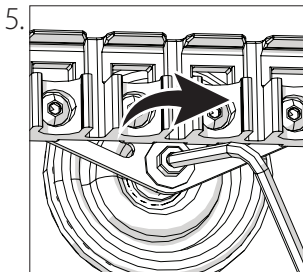
Use the supplied 3 mm allen wrench to loosen the central screw and remove restriction tie and old neck gasket.



Slide the new neck gasket onto the pivot shaft and housing



Secure the new neck gasket using the restriction tie with the clamp positioned toward the bottom of the instrument. Tighten central screw.



Use the supplied 3 mm allen wrench to tighten the central screw and secure the tube carriage.

Troubleshooting

Error Codes

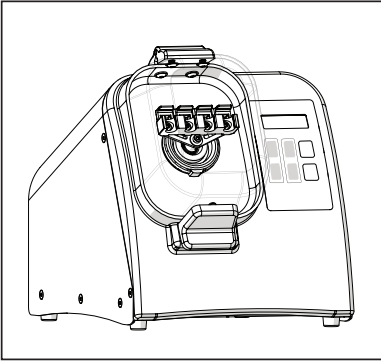
Error Code	Definition	Cause	Possible Solution
Error 1	Display screen shows incomplete or unusual characters	CPU needs to be reset	Turn off the unit. Wait 30 seconds. Turn the unit back on.
Error 2	No display on the screen	No Power	Check main voltage. Check that the voltage of the unit (100V-240V) matches what is being delivered by the main power supply. Make sure the unit is plugged in properly. Check and replace fuses if blown.
		Faulty display screen	Turn off the unit. Contact manufacturer for assistance.
Error 3	Unit powers on but motor does not turn	Faulty motor	Contact manufacturer for assistance.
Error 4	Close Door	Lid is not seated properly.	Check Lid latch for obstruction Press lid and ensure the handle is closed
		Detection system is faulty.	

WARNING: Any service must be performed by a qualified service technician. This can be either an OMNI Technician or an end user resource.
All parts need to be sourced from the OMNI International service department

Transporting the Bead Ruptor™ 4

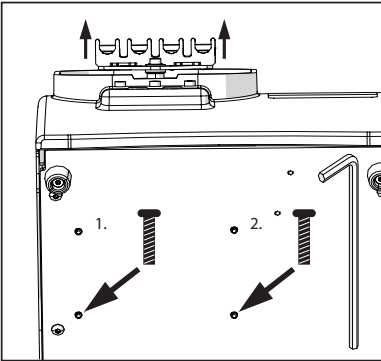
The Bead Ruptor™ 4 must be shipped in its original packaging.
Before transporting please follow this steps.

1.



Remove all tubes, cover the unit in its plastic bag.

2.



The tube carriage will slide back. Lift the tube carriage to align the motor mount holes to the holes in the base plate.

Insert screws with allen key until you feel them engage (It may take some finesse to get them aligned with the internals of the unit).

Tighten screws until completely seated.

For more information about service please call:

800.776.4431 • 770.421.0058

935 Cobb Place Blvd.
Kennesaw, GA 30144
www.omni-inc.com



935 Cobb Place Blvd.
Kennesaw, GA 30144
800.776.4431 • 770.421.0058
www.omni-inc.com

PN: 03-225-01 Rev Q